

Stainless Steel Locking Pins

with Axial Lock (Ball Retainer)

SPECIFICATION

Type

- Type **E**: With eyelet washer

Pin

Stainless steel AISI 303

Washer

Stainless steel AISI 316LHC

Metal injection molded

Ball

Stainless steel AISI 420C

Compression spring

Stainless steel AISI 631



INFORMATION

Stainless steel locking pins GN 124.3 are used for quick fixing, connecting and locking of various jig and fixture systems.

The locking balls are held in position by a compression spring and are therefore not rigidly locked. The pins can be quickly and easily inserted and removed from the locating hole.

The technical annex contains the load ratings for the double shear strength (breaking strength).

- Range of locking pins (see page 868)

ACCESSORY

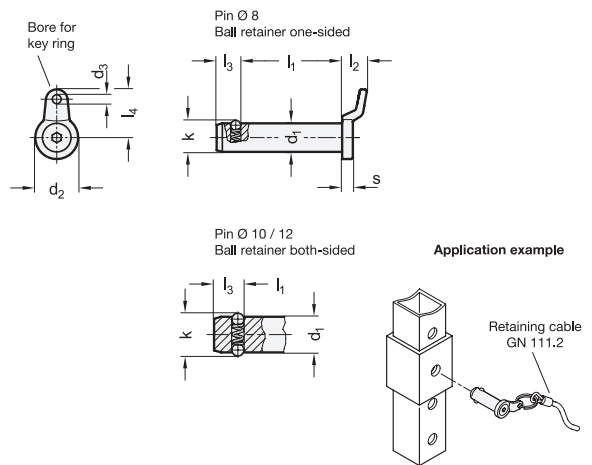
- Ball Chains GN 111 (see page 904) / GN 111.5 (see page 905)

- Stainless Steel Retaining Cables GN 111.2 (see page 906)

- Spiral Retaining Cables GN 111.4 (see page 908)

TECHNICAL INFORMATION

- Stainless Steel Characteristics (see page A26)



GN 124.3

STAINLESS STEEL

| Description | d1 -0.04/ -0.08 | l1 | d2 | d3 | k | l2 | l3 | l4 | s | Location bore | Axial holding force in N≈ | Load in kN ≈ Double sided shearing resistance according DIN 50141 (Breaking strength) | ⚖️ |
|------------------|-----------------------|----|----|-----|------|----|-----|------|---|------------------|------------------------------------|---------------------------------------------------------------------------------------------------|----|
| GN 124.3-8-15-E | 8 | 15 | 12 | 2.5 | 8.7 | 7 | 6.3 | 13.5 | 3 | 8 | 15 | 40 | 12 |
| GN 124.3-8-20-E | 8 | 20 | 12 | 2.5 | 8.7 | 7 | 6.3 | 13.5 | 3 | 8 | 15 | 40 | 14 |
| GN 124.3-8-25-E | 8 | 25 | 12 | 2.5 | 8.7 | 7 | 6.3 | 13.5 | 3 | 8 | 15 | 40 | 16 |
| GN 124.3-8-30-E | 8 | 30 | 12 | 2.5 | 8.7 | 7 | 6.3 | 13.5 | 3 | 8 | 15 | 40 | 18 |
| GN 124.3-8-50-E | 8 | 50 | 12 | 2.5 | 8.7 | 7 | 6.3 | 13.5 | 3 | 8 | 15 | 40 | 25 |
| GN 124.3-10-15-E | 10 | 15 | 15 | 2.5 | 12 | 7 | 8.7 | 15 | 3 | 10 | 30 | 62 | 22 |
| GN 124.3-10-20-E | 10 | 20 | 15 | 2.5 | 12 | 7 | 8.7 | 15 | 3 | 10 | 30 | 62 | 25 |
| GN 124.3-10-25-E | 10 | 25 | 15 | 2.5 | 12 | 7 | 8.7 | 15 | 3 | 10 | 30 | 62 | 28 |
| GN 124.3-10-30-E | 10 | 30 | 15 | 2.5 | 12 | 7 | 8.7 | 15 | 3 | 10 | 30 | 62 | 32 |
| GN 124.3-10-50-E | 10 | 50 | 15 | 2.5 | 12 | 7 | 8.7 | 15 | 3 | 10 | 30 | 62 | 41 |
| GN 124.3-12-20-E | 12 | 20 | 17 | 3 | 14.5 | 9 | 9.5 | 18.5 | 4 | 12 | 32 | 90 | 34 |
| GN 124.3-12-30-E | 12 | 30 | 17 | 3 | 14.5 | 9 | 9.5 | 18.5 | 4 | 12 | 32 | 90 | 43 |
| GN 124.3-12-40-E | 12 | 40 | 17 | 3 | 14.5 | 9 | 9.5 | 18.5 | 4 | 12 | 32 | 90 | 52 |
| GN 124.3-12-50-E | 12 | 50 | 17 | 3 | 14.5 | 9 | 9.5 | 18.5 | 4 | 12 | 32 | 90 | 61 |